

LRM Voltage indicator: CVI+S2

With 2 Relay Output

The Capacitive Voltage Indicator is designed for to use with MV capacitive voltage divider devices.

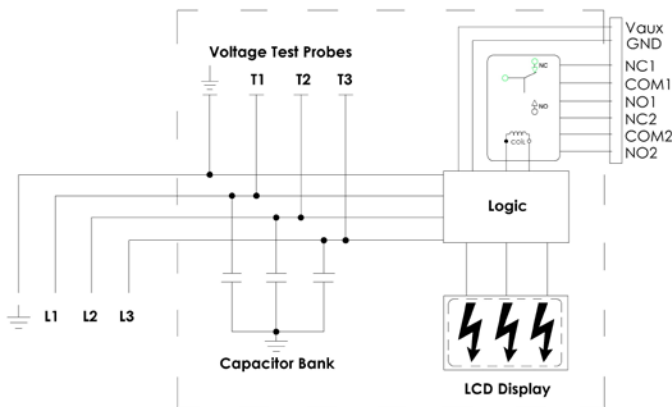


Features:

- LRM system
- According to IEC 62271-213
- Self test function without any auxiliary power
- No auxiliary power is needed for voltage detection
- Wide auxiliary input range for relay power supply
- 3-Phase LCD display and bigger screen
- 2 LED indicators for contact status
- 2 Change-over contact for status monitoring
- Easy for installation and maintenance

Technical Parameters:

- 1.Rated frequency : 50Hz or 60Hz
- 2.Threshold voltage : 10% to 45%Un
- 3.Operating temperature: -25°C to +55°C
- 4.Storage temperature : -30°C to +80°C
- 5.Protection class : IP54
- 6.Connection leads : 4.8*0.8mm faston term.
- 7.Dimension : 96*50*50mm
- 8.Cutting size : 92*45mm
- 9.Contact output : 5A, 250VAC or 30VDC
- 10.Auxiliary power : 24 -230 AC/DC
- 11.Aux.Power isolation : 1.5 kV
- 12.Power consumption : Less than 2W



Voltage indicator with 2 relay output






Function table:

Phase Voltage	Auxiliary Supply	Voltage Indication	Relay 1		Relay 2	
			NO-COM 1-2	NC-COM 2-3	NO-COM 4-5	NC-COM 5-6
<10%	Off	Off	Off	On	Off	On
>45%	Off	On	Off	On	Off	On
<10%	On	Off	Off	On	On	Off
>45%	On	On	On	Off	Off	On

LRM Voltage indicator: **CVI+S2**

Indication Status:

INDICATION OF LCD	Indication with normal operation	Status of phase Voltage U
No indication	No Voltage	$U < 10\% * U_n$
	Display TEST	-
	Voltage Present (light black arrow)	$10\% * U_n < U < 45\% * U_n$
	Nominal Voltage Present (full arrow)	$U > 45\% * U_n$

HV on (Red Led)
On
Off

HV off (Green Led)
Off
On

Auxiliary Supply	Power (Red Led)
On	On
Off	Off

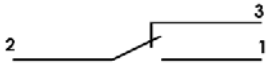
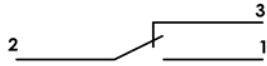
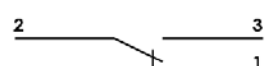
Relay function table:

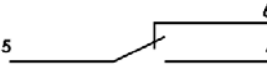
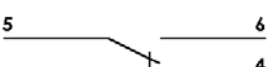
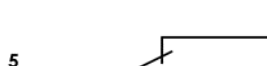
Phase Voltage	Auxiliary Supply	Relay 1	
		NO-COM 1-2	NC-COM 2-3
Any Situation	Off	Off	On
All phases $U < 10\% U_n$	On	Off	On
At least 1 phase with $U > 45\% U_n$	On	On	Off

Phase Voltage	Auxiliary Supply	Relay 2	
		NO-COM 4-5	NC-COM 5-6
Any Situation	Off	Off	On
At least one phases $U < 10\% U_n$ or all phases $< 10\% U_n$	On	On	Off
All phases with $U > 45\% U_n$	On	Off	On

LRM Voltage indicator: **CVI+S2**

Relay function table:

Vaux status	Phase voltage	Relay-1 Contact status
Off	For any status	 2-3
On	All phases <%10 Un	 2-3
On	At least one phase >%45 Un	 1-2

Vaux status	Phase voltage	Relay-2 Contact status
Off	For any status	 5-6
On	At least one phase <%10 Un or all phases <%10 Un	 4-5
On	All phases with U >45% Un	 5-6

Terminal connection	Relay 1
1	NO1
2	COM1
3	NC1
	Relay 2
4	NO2
5	COM2
6	NC2
	Energy supply
7	Vaux (24-230 V AC/DC)
8	Gnd (-)

Required data for order:

- Capacitance of coupling electrode C1
- C2 options; 3.3, 6.8, 10, 22, 47, 68, 80 nF
- Cable type and length
- Rated voltage Un
- Auxiliary power (24-230V AC/DC required)

